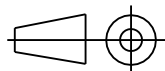
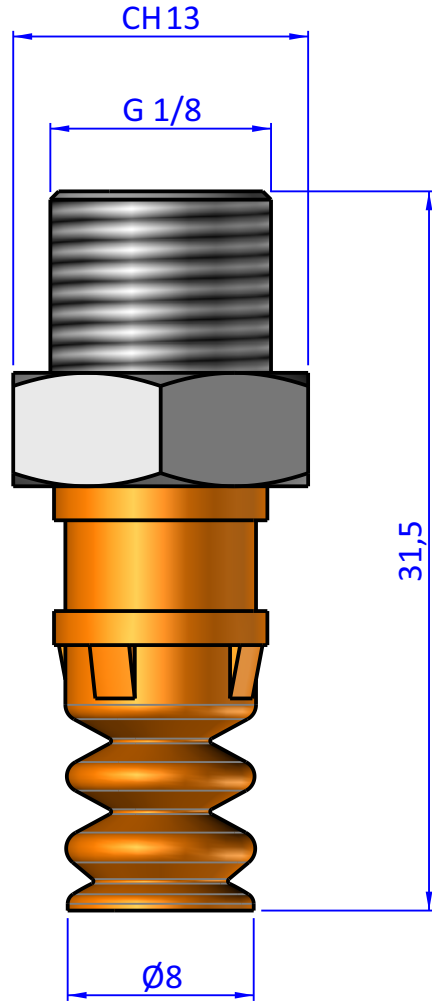
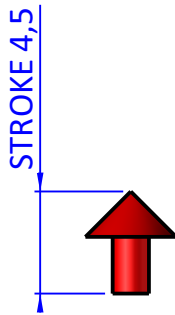
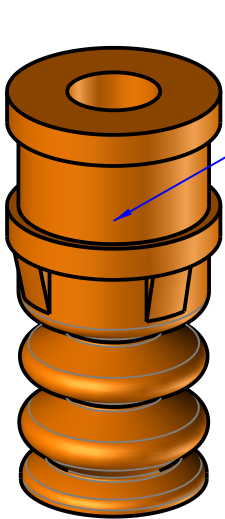
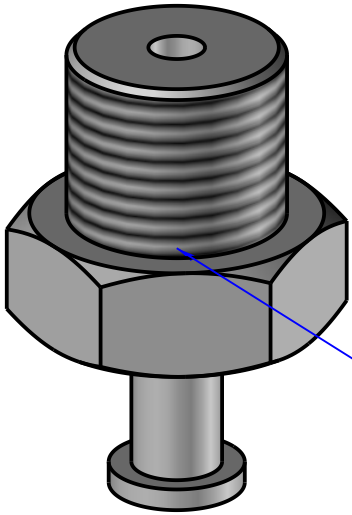


THE PROPERTY OF THE DRAWING IS ESTABLISHED BY LAW. IT IS FORBIDDEN TO PRODUCE OR SHOW IT TO THIRD PART. WITHOUT A WRITTEN AGREEMENT.

Item	Name	Q.ty
1	CA.NS020S	1
2	CA.V0025S	1



DESIGNED FROM		REVIEW
FPS Automation		A
DATE	WEIGHT	
25/07/2025	0,074kg	
CODE		
KIT.V0208S.G18		

Format A4

UNI 936-76

GENERAL TOLERANCE

UNI - ISO 2768

CLASSE f

DESCRIPTION

KIT.V0208S.G18